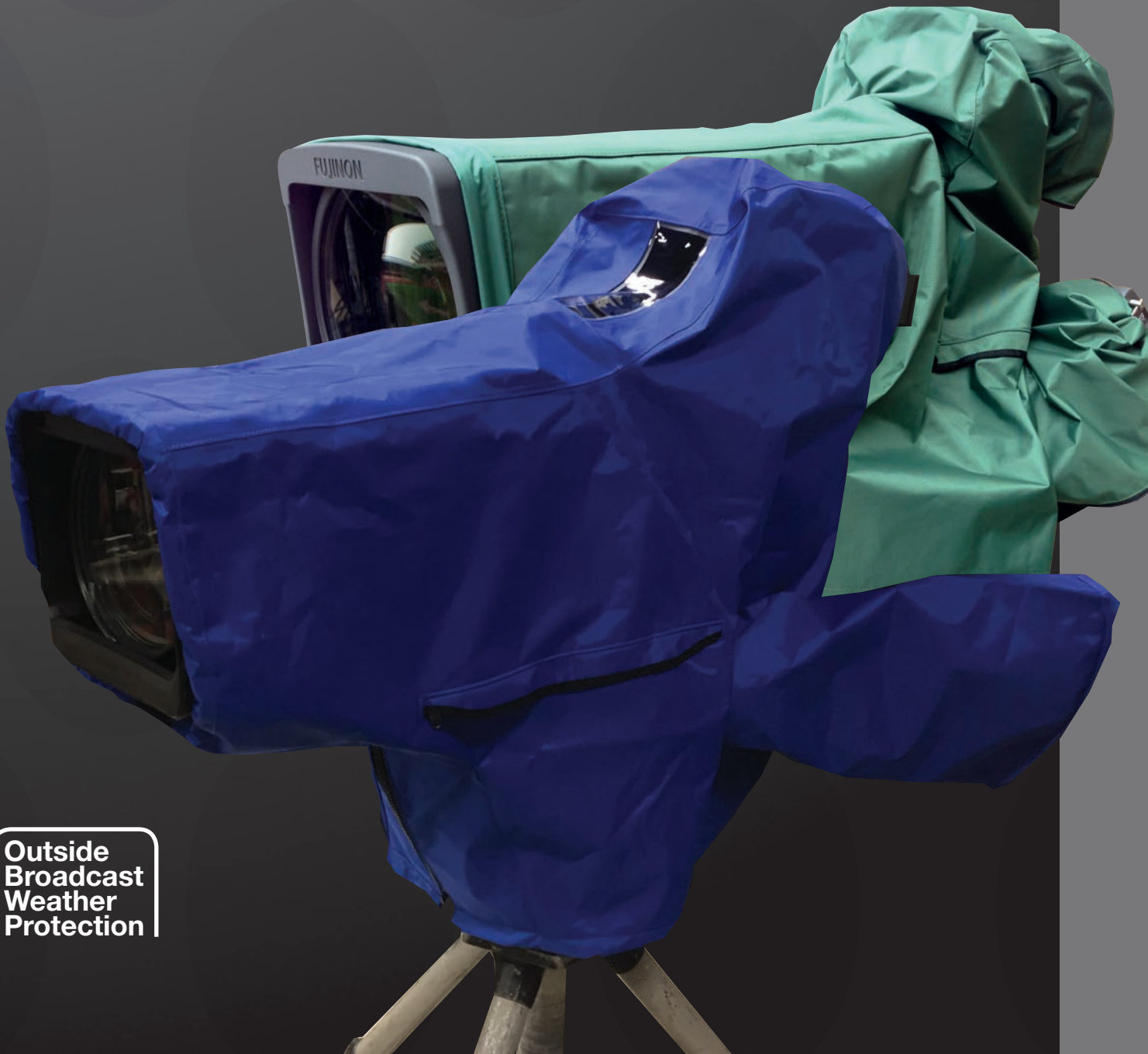


OB Camera Rain Covers

cp cases 

OB Camera Rain Covers



Outside
Broadcast
Weather
Protection

Overview



- 1 Features and functions
- 2 Tripod mounted OB Cameras with fixed OLED/LCD viewfinders
- 5 Shoulder mounted OB Cameras
- 6 Tripod mounted OB Cameras with floating OLED/LCD viewfinders
- 9 CP Products and Services

Outside
Broadcast
Weather
Protection

Company Profile

For more than 45 years CP Cases have been supplying custom made protective cases and weather covers to many of the world's leading broadcast organisations.

Designed for Experts

All products in this guide have been designed and manufactured to meet the extremely high expectations that many of the leading OB kit managers and users have for product performance, quality and value for money.

High Spec Materials

Our camera cover fabrics have been selected for their high durability levels, in careful balance with flexibility and suppleness. We use these Nylon fabrics most commonly in the construction of military specification back-packs and covers so their performance characteristics are well understood.



CP Cases is a proud sponsor of the Guild of Television Camera Professionals



Silver Member of International Trade Association for broadcast and media technology

Features and functions

Easy to Install

Outdoor grade industrial zippers allow the cover to be opened up fully to allow simple installation and removal. They're located beneath the pan-bars and beneath the lens and they open and close in both directions. They're also impervious to dust and dirt.

Controls and Venting

Freedom of movement and access to the camera's essential controls is provided on every cover type. Each cover also features wide access slots along each side to enable the attachment of auxiliary microphones. These slots are covered with an 'eyelid' shaped flap which keeps downpours at bay, but also provides ventilation during use.

Seam Sealing

We utilise 'Seam Sealing' technology to achieve the most weather resistant construction for our covers. This technology is widely used in the assembly of large military shelters and tents. It has high reliability for achieving excellent weather resistance in extremes of temperature and humidity.

Remote Viewfinders

For those venues where spectator sightlines must be preserved, mounting viewfinders as low down as possible has often been a challenge. Providing weather protection for these 'unconventional' camera set-ups, whilst giving full operator access, is now made so much simpler.

Separate viewfinder covers are provided with the main camera and lens covers and allow the set-up to be rigged with the viewfinder fixed to the left-side or right-side as required.

Overnight Covers

For those events when cameras are left on location for some time, an overnight cover can prevent access to curious button-bashers and the risks that inquisitive fingers might bring.

Colours and Branding

More and more, requests are made to supply camera covers to match a specific corporate identity or event colour scheme. We carry a massive stock holding of fabric colours to respond to those 'out-of-the-blue' requests with no impact on delivery times.

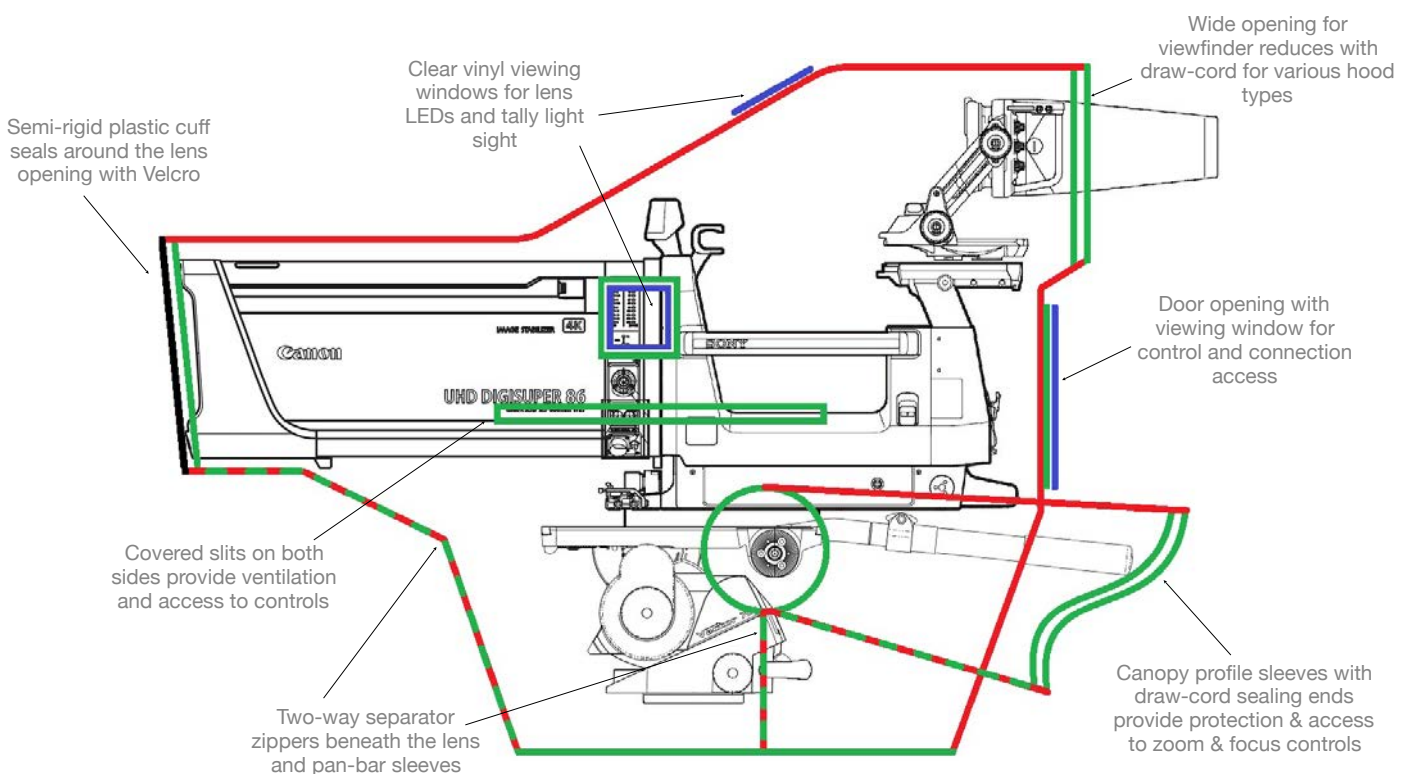
The application of silkscreened logos on covers also reinforces an organisation's professional image and corporate messaging. Because we manage that process in-house, no impact on timings is experienced.



Super-telephoto / Sports lens mode, with centre mount OLED viewfinder

BR16001

System expander build up kit	Camera model	LCD/OLED viewfinders	Large studio / OB lens
SONY HDLA 1500 SONY HDLA 1505 SONY HDLA 1507	HDC4800 HDC2500 HDC2400 HDC2570 HDC4300 HDC3500 HDC3100	HDVF-EL70 HDVF-EL75 HDVF-L750 HLVF-L770	Canon UHD Digisuper 86 Canon UHD Digisuper 90 Canon Digisuper 100 AF Fujinon HA27x6.5BESM Fujinon XA77x9.5BESM Fujinon XA99x8.4BESM Fujinon A101x8.9BESM
GRASS VALLEY LDK 4475	LDX 82 LDX 86 LDK8000	LDK5307 EC744 OLED	
PANASONIC HK-HBU3500	AK-HC3500	AK-HVF70G	
HITACHI SA-1000	SKHD1000 SK-UHD4000 Z-HD6000	VF-L90HD HDF-EL800H VF-701HDA	
IKEGAMI SE-U430 IKEGAMI SE-H750	UHK-430 HDK-97A HDK-79 HDK-73	VFE-741D VFL-701D VFE-740HD VFL-P700	



V3 Created August 2019. E&OE. RESTRICTED.
Any unauthorised copying or circulation of this document may violate terms of NDA. All information believed to be correct at time of publication.
No liability accepted for decisions made as a result of errors. Specifications may change without notice.



CP Cases Ltd

Call 020 8568 1881 to order or contact sales@cpcases.com

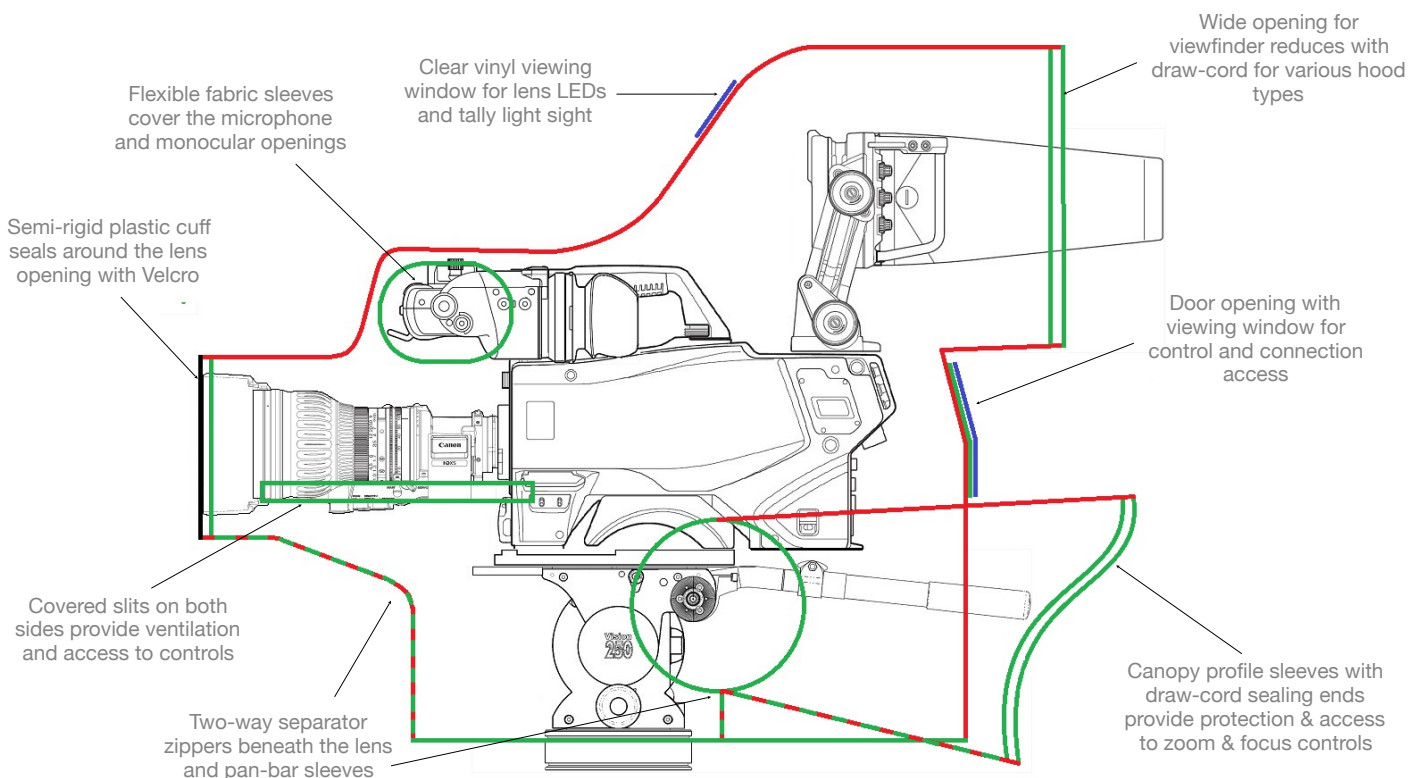
Unit 11 Worton Hall Industrial Estate | Worton Road | Isleworth | Middlesex | TW7 6ER | UK

Fax: +44 (0) 20 8568 1141 | info@cpcases.com | www.cpcases.com

Tripod mounted ENG / EFP lens with centre mount OLED viewfinder

BR16002

Equipment manufacturer	Camera model	LCD/OLED viewfinders	Lens models
SONY	HDC4800 HDC2500 HDC2400 HDC2570 HDC4300 HDC3500 HDC3100	HDVF-EL70 HDVF-EL75 HDVF-L750 HLVF-L770	Canon UHD CJ20ex7.8 Canon UHD CJ12ex4.3B Canon HJ14ex4.3B Canon HJ22ex7.6B Fujinon UA22x8BERD Fujinon UA13x4BERD Fujinon HA14x4BERM FujinonHA22x7.3BERM
GRASS VALLEY	LDX 86 LDK8000 LDK4000	LDK5307 EC744 OLED	
PANASONIC	AK-HC3500	AK-HVF70G	
HITACHI KOKUSAI	SKHD1000 SK-UHD4000 Z-HD6000	VF-L90HD HDF-EL800H VF-701HDA	
IKEGAMI	UHK-430 HDK-97A HDK-79 HDK-73	VFE-741D VFL-701D VFE-740HD VFL-P700	



V3 Created August 2019. E&OE. RESTRICTED.
Any unauthorised copying or circulation of this document may violate terms of NDA. All information believed to be correct at time of publication.
No liability accepted for decisions made as a result of errors. Specifications may change without notice.



CP Cases Ltd

Call 020 8568 1881 to order or contact sales@cpcases.com

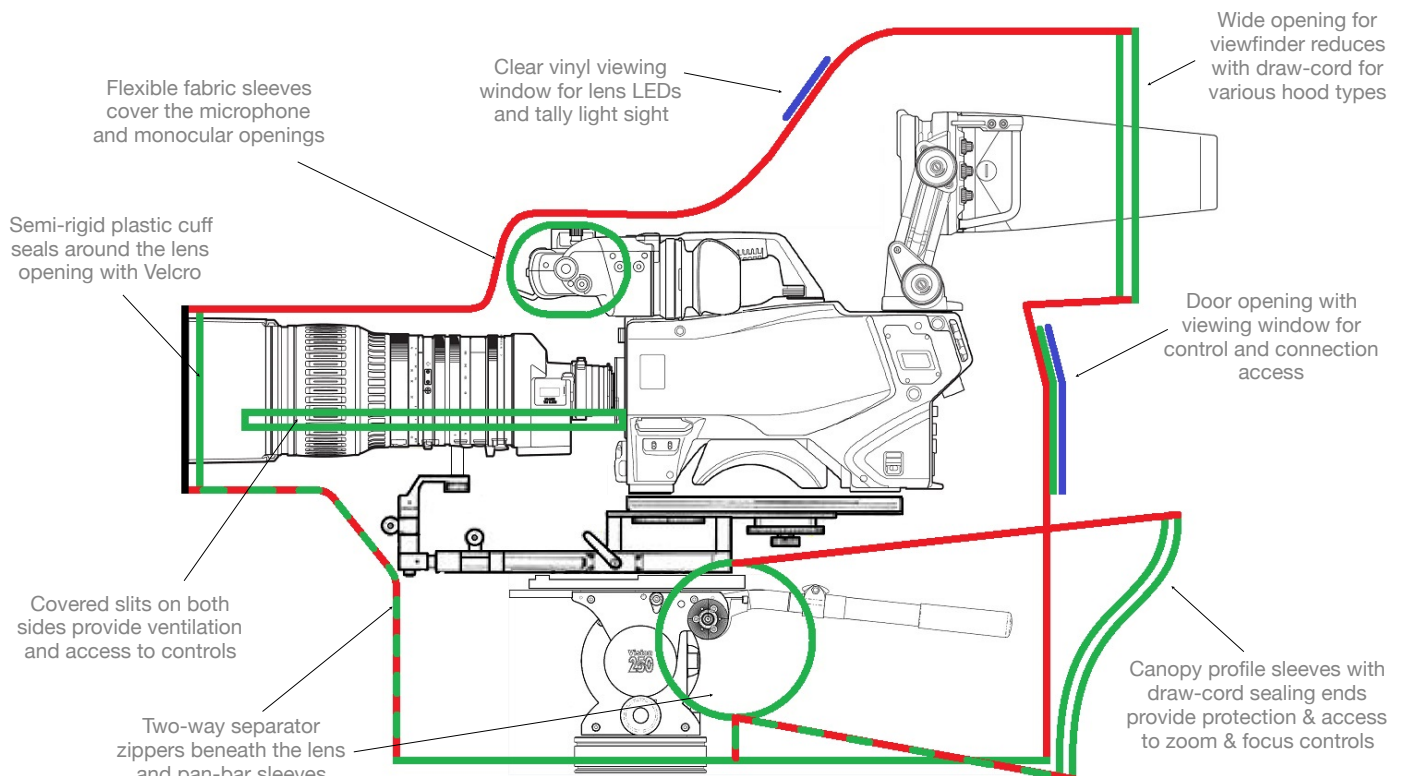
Unit 11 Worton Hall Industrial Estate | Worton Road | Isleworth | Middlesex | TW7 6ER | UK

Fax: +44 (0) 20 8568 1141 | info@cpcases.com | www.cpcases.com

Tripod mounted EFP telephoto lens with centre mount OLED viewfinder

BR16003

Equipment manufacturer	Camera model	LCD/OLED viewfinders	EFP lens and support
SONY	HDC4800 HDC2500 HDC2400 HDC2570 HDC4300 HDC3500 HDC3100	HDVF-EL70 HDVF-EL75 HDVF-L750 HLVF-L770	Canon HJ40x10B Canon SUP-300 Fujinon HA42x9.7BERD Fujinon ALH-117C
GRASS VALLEY	LDX 82 LDX86 LDK8000	LDK5307 EC744 OLED	
PANASONIC	AK-HC3500	AK-HVF70G	
HITACHI KOKUSAI	SKHD1000 SK-UHD4000 Z-HD6000	VF-L90HD HDF-EL800H VF-701HDA	
IKEGAMI	UHK-430 HDK-97A HDK-79 HDK-73	VFE-741D VFL-701D VFE-740HD VFL-P700	



V3 Created August 2019. E&OE. RESTRICTED.
Any unauthorised copying or circulation of this document may violate terms of NDA. All information believed to be correct at time of publication.
No liability accepted for decisions made as a result of errors. Specifications may change without notice.



CP Cases Ltd

Call 020 8568 1881 to order or contact sales@cpcases.com

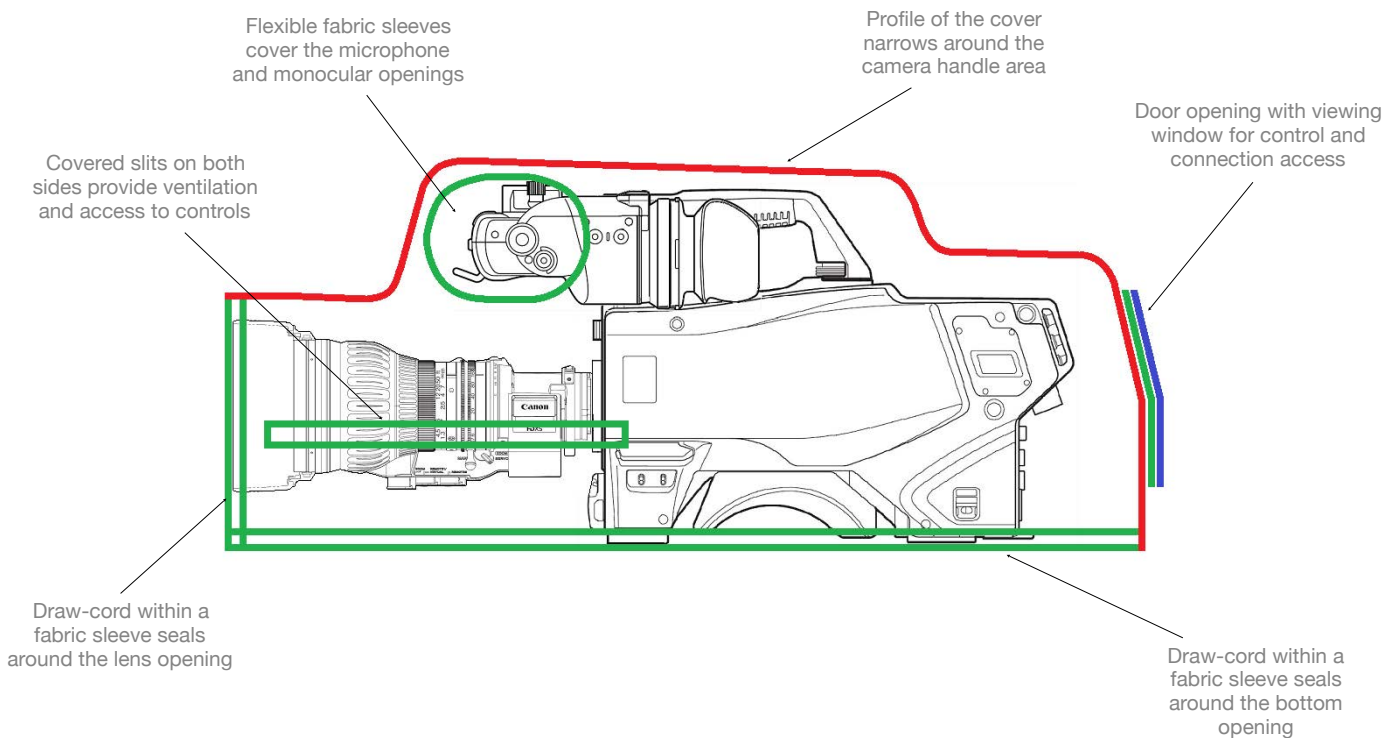
Unit 11 Worton Hall Industrial Estate | Worton Road | Isleworth | Middlesex | TW7 6ER | UK

Fax: +44 (0) 20 8568 1141 | info@cpcases.com | www.cpcases.com

Shoulder mount camera with ENG/EFP lens

BR16007

Equipment manufacturer	Camera model	Monocular	Lens models
SONY	HDC4800 HDC2500 HDC2400 HDC2570 HDC4300 HDC3500 HDC3100	HDVF-EL20 HDVF-EL30 HDVF-L10 CBK-VF02	Canon UHD CJ20ex7.8 Canon UHD CJ12ex4.3B Canon HJ14ex4.3B Canon HJ22ex7.6B Fujinon UA22x8BERD Fujinon UA13x4BERD Fujinon HA14x4BERM Fujinon HA22x7.3BERM
GRASS VALLEY	LDX 86 LDK8000 LDK4000	LDK-EC-200	
PANASONIC	AK-HC3500	AJ-HVF21KG	
HITACHI KOKUSAI	SKHD1000 SK-UHD4000 Z-HD6000	VF-402S3 VF-L20HD	
IKEGAMI	UHK-430 HDK-97A HDK-79 HDK-73	VFL-201D VFL-200HD	



V3 Created August 2019. E&OE. RESTRICTED.
Any unauthorised copying or circulation of this document may violate terms of NDA. All information believed to be correct at time of publication.
No liability accepted for decisions made as a result of errors. Specifications may change without notice.



CP Cases Ltd

Call 020 8568 1881 to order or contact sales@cpcases.com

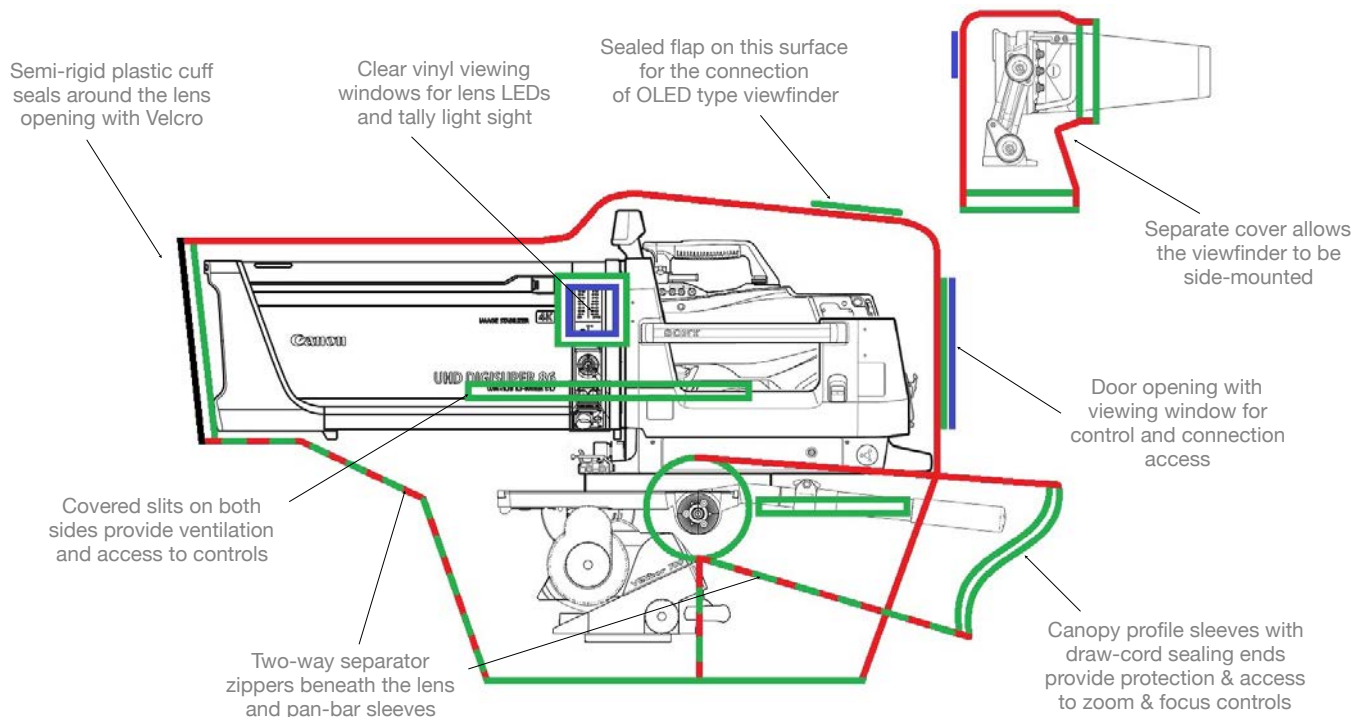
Unit 11 Worton Hall Industrial Estate | Worton Road | Isleworth | Middlesex | TW7 6ER | UK

Fax: +44 (0) 20 8568 1141 | info@cpcases.com | www.cpcases.com

Super-telephoto / Sports lens, enables multi-location OLED viewfinder mounting

BR16004

System expander build up kit	Camera model	LCD/OLED viewfinders	Large studio / OB lens
SONY HDLA 1500 SONY HDLA 1505 SONY HDLA 1507	HDC4800 HDC2500 HDC2400 HDC2570 HDC4300 HDC3500 HDC3100	HDVF-EL70 HDVF-EL75 HDVF-L750 HLVF-L770	Canon UHD Digisuper 86 Canon UHD Digisuper 90 Canon Digisuper 100 AF Fujinon HA27x6.5BESM Fujinon XA77x9.5BESM Fujinon XA99x8.4BESM Fujinon A101x8.9BESM
GRASS VALLEY LDK 4475	LDX 82 LDX 86 LDK8000	LDK5307 EC744 OLED	
PANASONIC HK-HBU3500	AK-HC3500	AK-HVF70G	
HITACHI SA-1000	SKHD1000 SK-UHD4000 Z-HD6000	VF-L90HD HDF-EL800H VF-701HDA	
IKEGAMI SE-U430 IKEGAMI SE-H750	UHK-430 HDK-97A HDK-79 HDK-73	VFE-741D VFL-701D VFE-740HD VFL-P700	



V3 Created August 2019. E&OE. RESTRICTED.
Any unauthorised copying or circulation of this document may violate terms of NDA. All information believed to be correct at time of publication.
No liability accepted for decisions made as a result of errors. Specifications may change without notice.



CP Cases Ltd

Call 020 8568 1881 to order or contact sales@cpcases.com

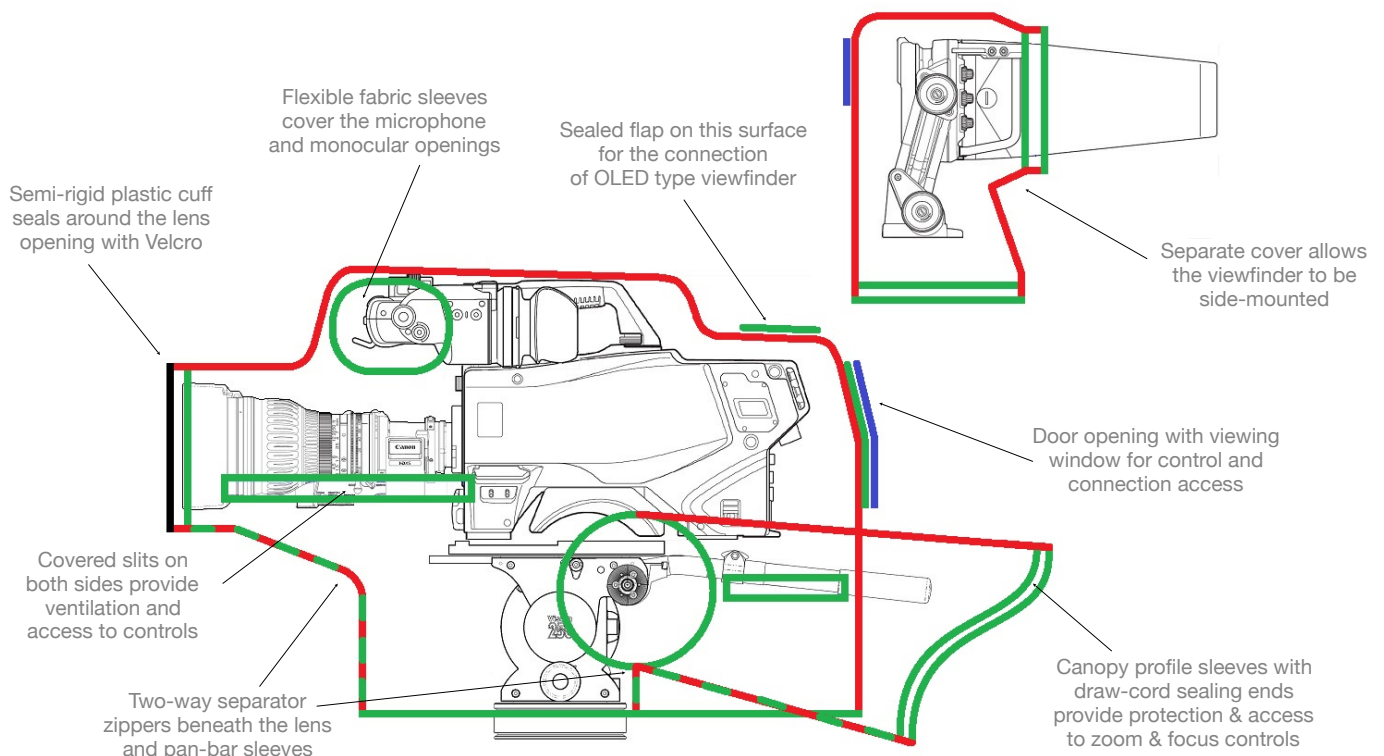
Unit 11 Worton Hall Industrial Estate | Worton Road | Isleworth | Middlesex | TW7 6ER | UK

Fax: +44 (0) 20 8568 1141 | info@cpcases.com | www.cpcases.com

Tripod mounted ENG / EFP lens, enables multi-location OLED viewfinder mounting

BR16005

Equipment manufacturer	Camera model	LCD/OLED viewfinders	Lens models
SONY	HDC4800 HDC2500 HDC2400 HDC2570 HDC4300 HDC3500 HDC3100	HDVF-EL70 HDVF-EL75 HDVF-L750 HLVF-L770	Canon UHD CJ20ex7.8 Canon UHD CJ12ex4.3B Canon HJ14ex4.3B Canon HJ22ex7.6B Fujinon UA22x8BERD Fujinon UA13x4BERD Fujinon HA14x4BERM FujinonHA22x7.3BERM
GRASS VALLEY	LDX 86 LDK8000 LDK4000	LDK5307 EC744 OLED	
PANASONIC	AK-HC3500	AK-HVF70G	
HITACHI KOKUSAI	SKHD1000 SK-UHD4000 Z-HD6000	VF-L90HD HDF-EL800H VF-701HDA	
IKEGAMI	UHK-430 HDK-97A HDK-79 HDK-73	VFE-741D VFL-701D VFE-740HD VFL-P700	



V3 Created August 2019. E&OE. RESTRICTED.
Any unauthorised copying or circulation of this document may violate terms of NDA. All information believed to be correct at time of publication.
No liability accepted for decisions made as a result of errors. Specifications may change without notice.



CP Cases Ltd

Call 020 8568 1881 to order or contact sales@cpcases.com

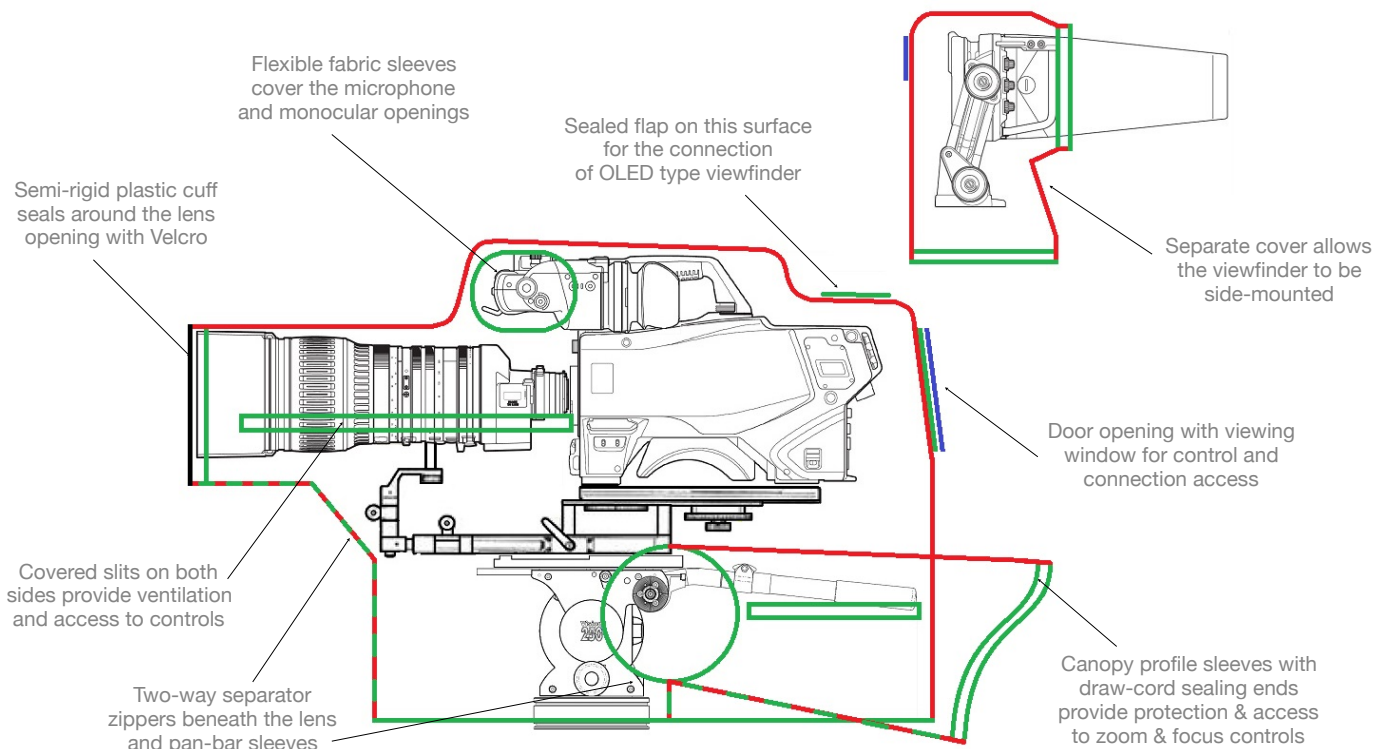
Unit 11 Worton Hall Industrial Estate | Worton Road | Isleworth | Middlesex | TW7 6ER | UK

Fax: +44 (0) 20 8568 1141 | info@cpcases.com | www.cpcases.com

Tripod mounted EFP Telephoto lens, enables multi-location OLED viewfinder mounting

BR16006

Equipment manufacturer	Camera model	LCD/OLED viewfinders	EFP lens and support
SONY	HDC4800 HDC2500 HDC2400 HDC2570 HDC4300 HDC3500 HDC3100	HDVF-EL70 HDVF-EL75 HDVF-L750 HLVF-L770	Canon HJ40x10B Canon SUP-300 Fujinon HA42x9.7BERD Fujinon ALH-117C
GRASS VALLEY	LDX 82 LDX86 LDK8000	LDK5307 EC744 OLED	
PANASONIC	AK-HC3500	AK-HVF70G	
HITACHI KOKUSAI	SKHD1000 SK-UHD4000 Z-HD6000	VF-L90HD HDF-EL800H VF-701HDA	
IKEGAMI	UHK-430 HDK-97A HDK-79 HDK-73	VFE-741D VFL-701D VFE-740HD VFL-P700	



V3 Created August 2019. E&OE. RESTRICTED.
Any unauthorised copying or circulation of this document may violate terms of NDA. All information believed to be correct at time of publication.
No liability accepted for decisions made as a result of errors. Specifications may change without notice.



CP Cases Ltd

Call 020 8568 1881 to order or contact sales@cpcases.com

Unit 11 Worton Hall Industrial Estate | Worton Road | Isleworth | Middlesex | TW7 6ER | UK

Fax: +44 (0) 20 8568 1141 | info@cpcases.com | www.cpcases.com

Other CP Products and Services

SatRack™



Designed for Electronic News Gatherers and Media Professionals, operating across the globe, SatRack is a lightweight solution that can be carried on commercial airlines as checked luggage, saving time and avoiding additional baggage charges for those who need

delicate electronic and satcom equipment to be quickly deployable and available immediately.

SatRack's novel and patented design is available in standard sizes of 3U, 4U and 5U versions with a 480 or 610mm deep, ultra-lightweight welded aluminium floating frame and is fully compatible with all 19-inch rack-mountable equipment. This design offers an exceptional strength-to-weight ratio and equipment panel fixing rails located at both ends of the frame allow for flexible mounting of kit.

(Also available for 9.5-inch racks.)

Amazon Cases & Racks™



Ideal for defence, marine, security, aerospace, oil and gas, satellite and telecommunication applications worldwide, Amazon Cases and Racks deliver exceptional strength to weight and are suitable where delicate or valuable equipment

needs to be transported or stored safely.

Amazon Cases and Racks have a unique patented design that offers a tough, lightweight, customisable system that can be tailored to the client's requirements and individual needs.

Aluminium Cases



A triumph of strength and style, CP Cases aluminium cases protect their contents even under severe impact and are tougher, lighter and more resilient than traditional designs in laminated plywood.

CP Cases aluminium cases are the ideal balance between style and protection. Made from 2mm rigidised aluminium, cases are constructed without an edge corner weld to prevent seam splitting and the pre-pressed corners add extra strength and exceptional resistance to drop damage.

The inter-locking lid/body seal, with an integrated neoprene rubber gasket, protects contents against rain, dirt, dust and other environmental hazards.

Rugged Textiles



CP Cases manufactures a wide range of bags and covers for Original Equipment Manufacturers (OEMs), to provide a cost effective and practical solution for moving, deploying and protecting equipment and instrumentation. Products are widely

used in the medical, defence, electronics and broadcast industries for a variety of applications.

Whether protecting expensive broadcast equipment from rain showers at Wimbledon, to sales presentation packs for artificial knee joints, or operational bags for aircraft testing equipment; CP Cases can provide a solution. The design team draws on years of experience with protective textiles to create the most cost-effective bag for your needs.

Custom Solutions



CP Cases' design team can create a solution for any application that you or your products require. Designers are equipped with state-of-the-art capabilities and have extensive experience in diverse manufacturing processes including rotomoulding, blow moulding and injection moulding, vacuum forming,

precision sheet metal work and traditional craft skills in a wide range of materials.

Foam Engineering



CP Cases can create foam protection systems to meet exacting project requirements for colour, multi-layering and special properties, by a variety of processes, including high speed CNC routing, laminating, drilling,

blocking and hand sculpting. Calculating which density and composition of foam to use and the exact thickness required to produce the desired deceleration on impact, ensures the best protection possible.



CP Cases Ltd

Unit 11 Worton Hall Industrial Estate | Worton Road | Isleworth | Middlesex | TW7 6ER | UK

Tel: +44 (0) 20 8568 1881 | Fax: +44 (0) 20 8568 1141

www.cpcases.com

**TRUSTED
WHEN IT
MATTERS**

About CP Cases

CP Cases designs and manufactures high-performance, protective cases and racks used for transport, operation and storage of essential equipment in commercial and military applications.

Many of our products are accredited to MIL-STD-810, rated IP65 and carry NATO stock numbers. With over 40 years' of expertise in producing cases, 19-inch rack solutions and rugged textile products, CP Cases has an unparalleled range of in-house skills and knowledge with materials and processes, including rotationally moulded products, plastic fabrication, aluminium, laminated plywood, HPP, textiles and CNC foam machining.

Full Capability Statement available on request.

Distributed by



21st
century
supply
chains



@cpcases



www.cpcases.com/blog



Follow us



Search CPCASES



Paper from well-managed forests
FSC® C006686